

Manual Service Disconnect (MSD)

In order to protect the safety of the technicians who maintain electric vehicles in high-voltage environment, electric vehicles are usually required to install a high-current MSD to disconnect the high-voltage circuit, so that the workers are in a safer state. In case of sudden short circuit, the MSD can play an emergency fuse function to protect the safety of vehicles and personnel. Chilye's MSD can fulfill quick disconnection without any tool, technicians can quickly release the plug and disconnect the power, it utilizes a two-stage lever which help to open the HVIL circuit prior to separation of HV connectors. This helps to control separation speed and guarantee the safety.

Meanwhile Chilye's MSD has a wide range of expansibility, it can be matched with different rated current fuses, to meet different using requirements. The product also has good anti touch finger protection and IP67&IP6K9K protection function.



Front Mounting



Rear Mounting



Rear Mounting

Applications

High voltage connection system Manual Service Disconnect
Short circuit protection

Mechanical

Unlock mode: Two stage unlock, no tool required
Durability: ≥ 100 mating cycles
HVIL type: 2 sets Integrated internal HVIL
Connection: M6 screw connection

Electrical

Fuse Rated Voltage: 600 to 700Vdc
Fuse Rated Current : Up to 500A, depends on fuse
Fuse Current Selection:
80A\100A\125A\160A\200A\250A
315A\350A\400A\450A\500A
Rated Voltage without fuse: 1500Vdc
Rated Current without fuse: 200A

Environmental

Protection grade: IP67(mated), IP6k9k;
Electrical protection: IP2XB
Operating temperature: -40°C to 125°C
Storage temperature: -40°C to 85°C

Cables

HV cables: 16 to 70mm²
HVIL cables: 0.5mm²

Standards

SAE J1742/J2223
USCAR-2
USCAR-37
LV-215



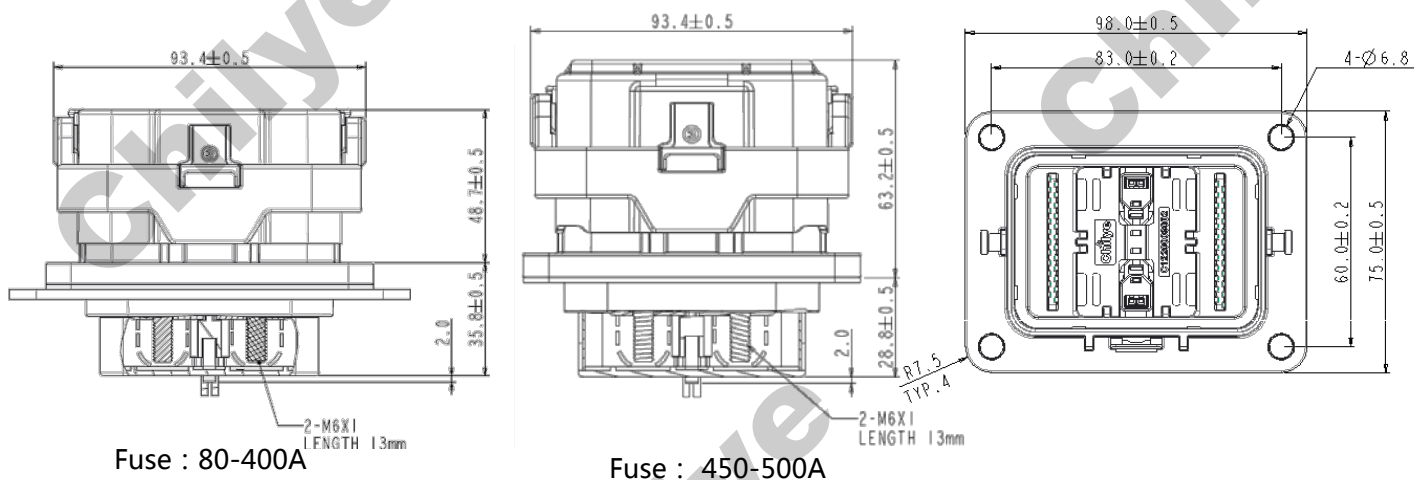
1. Finished Product --- Front Mounting Series

1.1 Product Selection

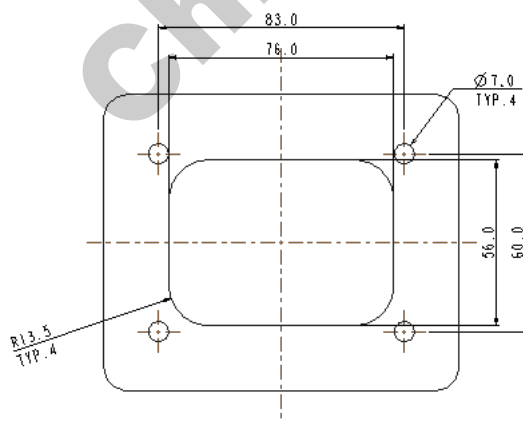
Model description: the following models are named according to Bussman's fuse, other brands fuse, please contact us

Fuse Current	80A	100A	125A	160A	200A	250A
Plug	CL-Mini MSDP80	CL-Mini MSDP100	CL-Mini MSDP125	CL-Mini MSDP160	CL-Mini MSDP200	CL-Mini MSDP250
Socket	CL-Mini MSDSF					
Finished Product	CL-Mini MSDZ80F	CL-Mini MSDZ100F	CL-Mini MSDZ125F	CL-Mini MSDZ160F	CL-Mini MSDZ200F	CL-Mini MSDZ250F
Fuse Current	315A	350A	400A	Copper Short	450A	500A
Plug	CL-Mini MSDP315	CL-Mini MSDP350	CL-Mini MSDP400	CL-Mini MSDP000	CL-Mini MSDP450	CL-Mini MSDP500
Socket	CL-Mini MSDSF					
Finished Product	CL-Mini MSDZ315F	CL-Mini MSDZ350F	CL-Mini MSDZ400F	CL-Mini MSDZ000F	CL-Mini MSDZ450F	CL-Mini MSDZ500F

1.2 Product outline dimensions



1.3 Front Mounting Interface Dimensions





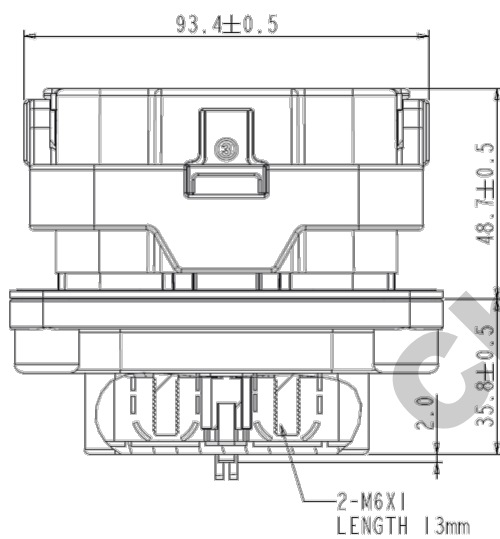
2. Finished Product --- Rear Mounting Series

2.1 Product Selection

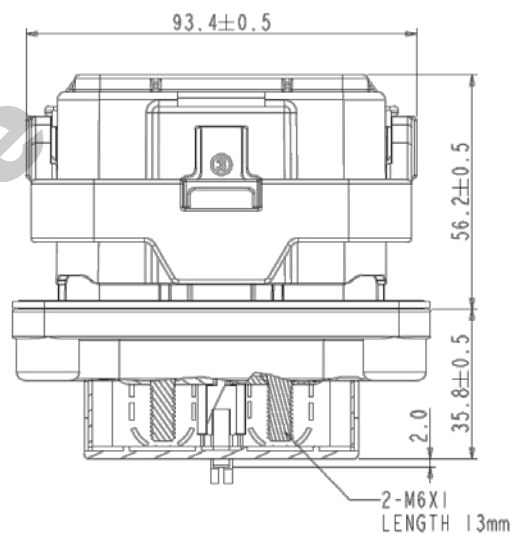
Model description: the following models are named according to Bussman's fuse, other brands fuse, please contact us

Fuse Current	80A	100A	125A	160A	200A	250A
Plug	CL-Mini MSDP80	CL-Mini MSDP100	CL-Mini MSDP125	CL-Mini MSDP160	CL-Mini MSDP200	CL-Mini MSDP250
Socket I	CL-Mini MSDS					
Socket II	CL-Mini MSDSN					
Finished Product	CL-Mini MSDZ80	CL-Mini MSDZ100	CL-Mini MSDZ125	CL-Mini MSDZ160	CL-Mini MSDZ200	CL-Mini MSDZ250
Fuse Current	315A	350A	400A	Copper bar Short	450A	500A
Plug	CL-Mini MSDP315	CL-Mini MSDP350	CL-Mini MSDP400	CL-Mini MSDP000	CL-Mini MSDP450	CL-Mini MSDP500
Socket I	CL-Mini MSDS					
Socket II	CL-Mini MSDSN					
Finished Product	CL-Mini MSDZ315	CL-Mini MSDZ350	CL-Mini MSDZ400	CL-Mini MSDZ000	CL-Mini MSDZ450F	CL-Mini MSDZ500F

2.2 Product outline dimensions--Plug



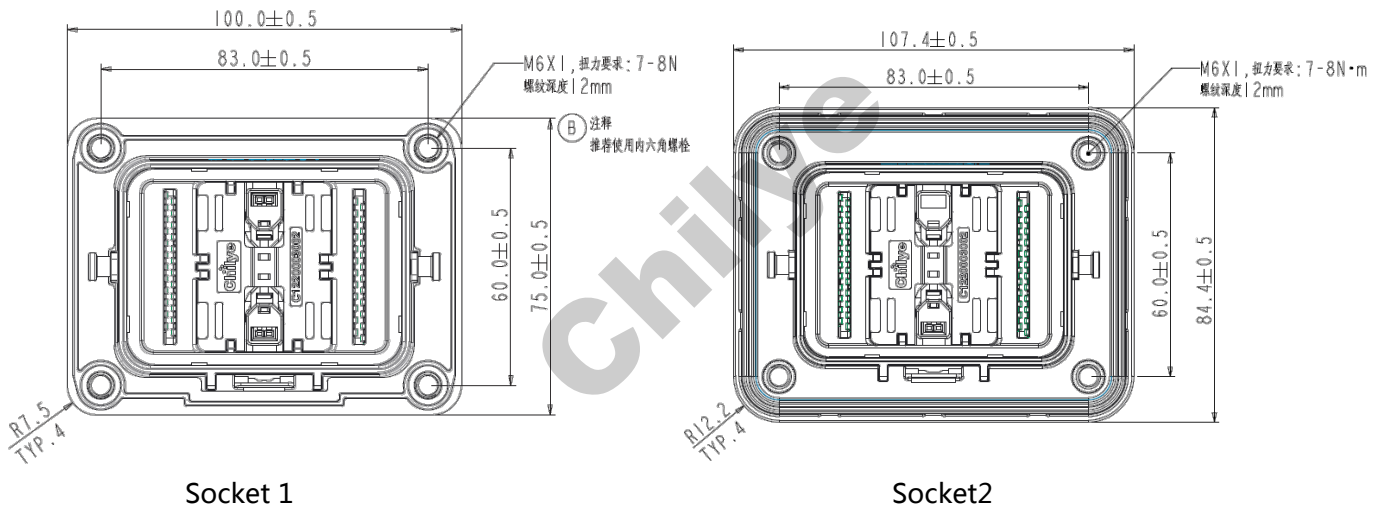
Fuse : 80-400A



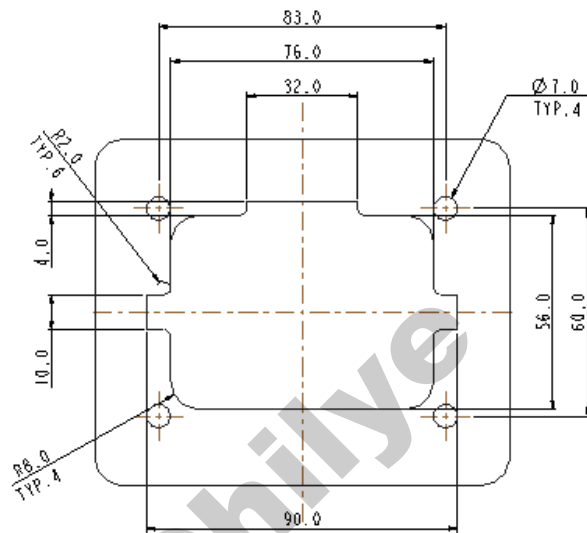
Fuse : 450-500A



2.3 Mounting Interface Dimensions- Socket



2.4 Rear Mounting Interface Dimensions



▲ If you want to know more information about this series products, please feel free to contact with us.

SUZHOU CHILYE GREEN TECHNOLOGY CO.,LTD.

Address: No.2 Rui en Lane, Xingpu Road, Suzhou Industrial Park, Jiangsu Province, China

Tel: 0512-69566052 Fax: 0512-69566055

Email: evsales@chilyle.com